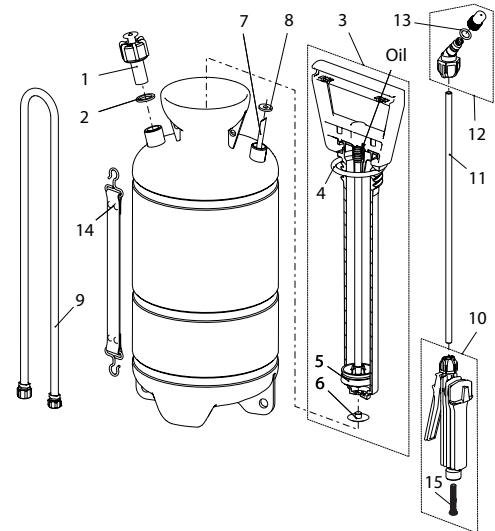




Rondo-Matic 5

Rondo-Matic 5 P

Rondo-Matic 5 E



Rondo-Matic 5, compression sprayer	11622101	121260
Rondo-Matic 5 P, compression sprayer (acids)	11907501	121345
Rondo-Matic 5 E, compression sprayer (alkalis)	11802201	121321
Accessories (Pictures see page 80 ff)		
Pressure control valve PR 3 (adjustable), see page 6	12098901-SB	011929
Battery pump without batteries	12092101	010953
Two hand grip	11887301	040578
Spray tube 1 m, straight, stainless steel	11310412	110394
Foaming equipment (Spray tube, stainless steel + foaming nozzle)	11841101	110400
No Gasket set Rondo-Matic 5 / 5 P consisting of:	11490504	400013
No Gasket set Rondo-Matic 5 E consisting of:	11808501	110417
2 Gasket 21x15.4x2		
4 O-ring 50.16x5.34		
5 Sleeve		
6 Pump gasket		
8 Gasket 15x5.5x2		
13 O-ring 7.66x1.78		
15 Filter		
No Spare parts	For model	
1 Safety and relief valve 3 bar	5 / 5P	11669610 110424
1 Safety and relief valve 3 bar	5E	11669609 110431
3 Pump black 1.4301 PP Viton	5 / 5P	11625301-SB 710150
3 Pump black 1.4301 PP EPDM	5E	11906501 110448
5 Sleeve with guide; 6 pcs per pack	5 / 5P	10853203 040066
5 Guide	5E	11639202 110455
5 Sleeve; 6 pcs per pack	5 / 5P / 5E	11642701 040059
7 Suction tube L = 365 mm, minimum order qty. 5 pcs	5 / 5P / 5E	10450505 110462
9 Hose 1.2 m, G1/2"-G1/2"	5	11902001 400174
9 Hose 1.5 m, G1/2"-G1/2"	5P	11908201 110479
9 Hose 1.5 m, G1/2"-G1/2"	5E	11908301 110486
10 Trigger G1/2"	5 / 5P	11488703 100791
10 Trigger G1/2"	5E	11488705 110493
11 Spray tube 40 cm straight, plastic	5	11497401 100760
11 Spray tube 40 cm straight, stainless steel	5P / 5E	11310411 110509
12 Adjustable nozzle 1.3 mm, plastic	5	11323002 100883
12 Adjustable nozzle 1.3 mm, plastic-stainless steel	5P	11908801 110516
12 Adjustable nozzle 1.3 mm, plastic-stainless steel	5E	11908901 110523
14 Carrying belt	5 / 5P / 5E	10453601 100739

Foaming equipment
11841101